

---

*Comfort-Aire*®

**Century**®



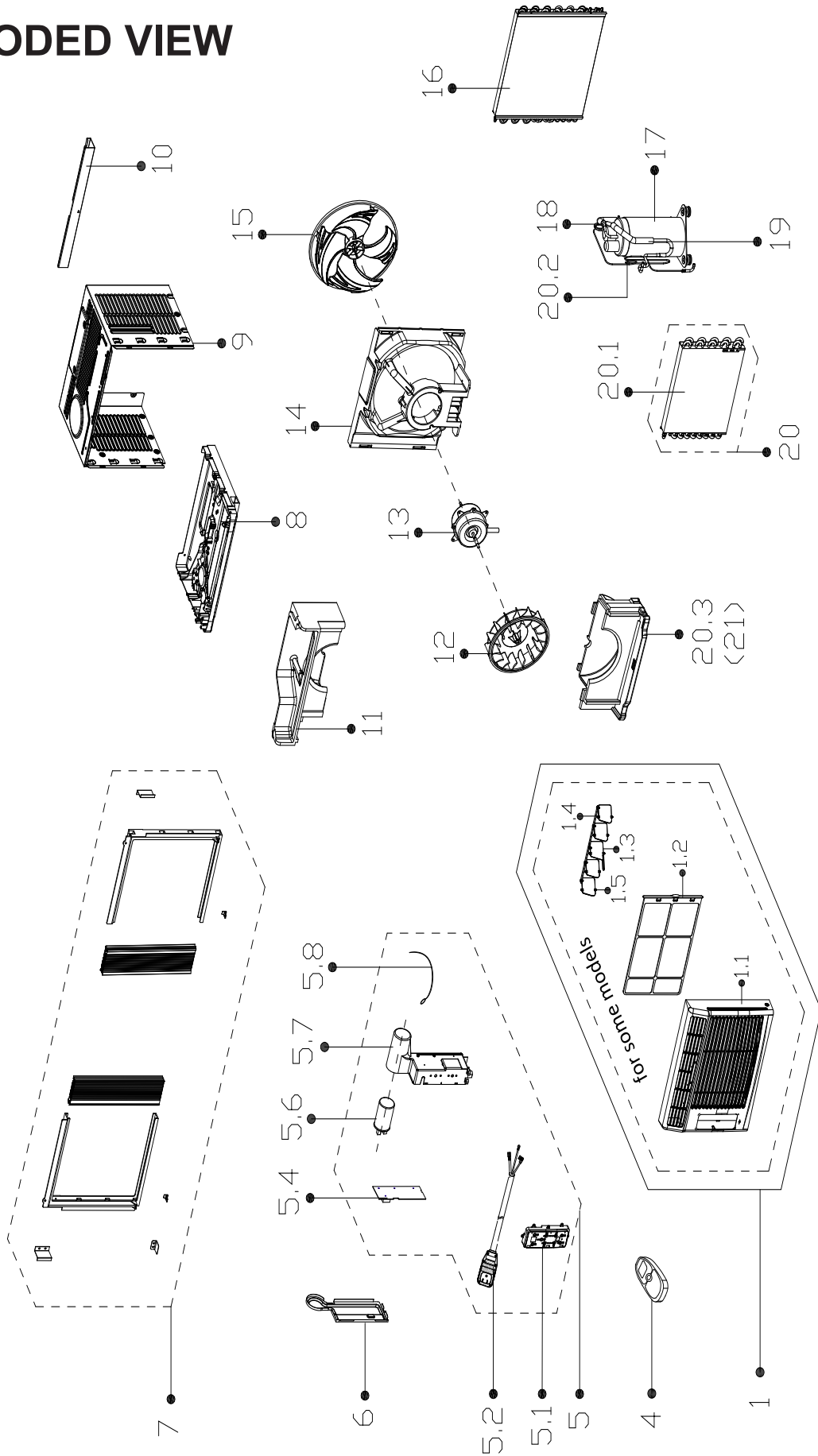
---

REPLACEMENT PARTS LIST

**Room Air Conditioner**

RADS-51Q

# EXPLODED VIEW



## REPLACEMENT PARTS

| Location | Part Name                          | Quantity | Part No.       |
|----------|------------------------------------|----------|----------------|
| 1        | Front panel assembly               | 1        | 12120300A22115 |
| 1.1      | Panel subassembly                  | 1        | 12120300A21636 |
| 4        | Remote controller                  | 1        | 17317000A01189 |
| 5        | Electronic control box subassembly | 1        | 17220300A15411 |
| 5.1      | Display box subassembly            | 1        | 17220300A15410 |
| 5.2      | Power cord subassembly             | 1        | 17401202000230 |
| 5.4      | Main control board subassembly     | 1        | 17120300003509 |
| 5.6      | Capacitor of compressor            | 1        | 17400104000015 |
| 5.7      | Electronic control box subassembly | 1        | 12220300003558 |
| 5.8      | Room temperature sensor            | 1        | 11201007003446 |
| 6        | Cover of electronic control box    | 1        | 12220300000485 |
| 7        | Installation accessory             | 1        | 12020300000507 |
| 8        | Chassis assembly                   | 1        | 12220300003460 |
| 9        | Cabinet assembly                   | 1        | 12220300003458 |
| 10       | Top shutter frame subassembly      | 1        | 12220300003459 |
| 11       | Volute shell subassembly (above)   | 1        | 12820300000540 |
| 12       | Centrifugal fan                    | 1        | 12100103000884 |
| 13       | Single phase asynchronous motor    | 1        | 11002012032135 |
| 14       | Fan housing                        | 1        | 12120300004244 |
| 15       | Axial flow fan                     | 1        | 12100105000781 |
| 16       | Condenser assembly                 | 1        | 15820300002673 |
| 17       | Fixed Speed Rotary Compressor      | 1        | 11103010015533 |
| 18       | Discharge pipe assembly            | 1        | 15120300005851 |
| 19       | Suction pipe                       | 1        | 15120300004782 |
| 20       | Evaporator assembly                | 1        | 15820300002675 |
| 20.1     | Evaporator                         | 1        | 15820300002722 |
| 20.2     | Capillary subassembly              | 1        | 15120300005663 |
| 20.3     | Volute shell subassembly (above)   | 1        | 12820300000539 |

---

Due to ongoing product improvements, specifications and dimensions are subject to change and correction without notice or incurring obligations. Determining the application and suitability for use of any product is the responsibility of the installer. Additionally, the installer is responsible for verifying dimensional data on the actual product prior to beginning any installation preparations.

Incentive and rebate programs have precise requirements as to product performance and certification. All products meet applicable regulations in effect on date of manufacture; however, certifications are not necessarily granted for the life of a product. Therefore, it is the responsibility of the applicant to determine whether a specific model qualifies for these incentive/rebate programs.

*Comfort-Cire*®  **Century**®

1900 Wellworth Ave., Jackson, MI 49203 • Ph. 517-787-2100 • [www.marsdelivers.com](http://www.marsdelivers.com)

